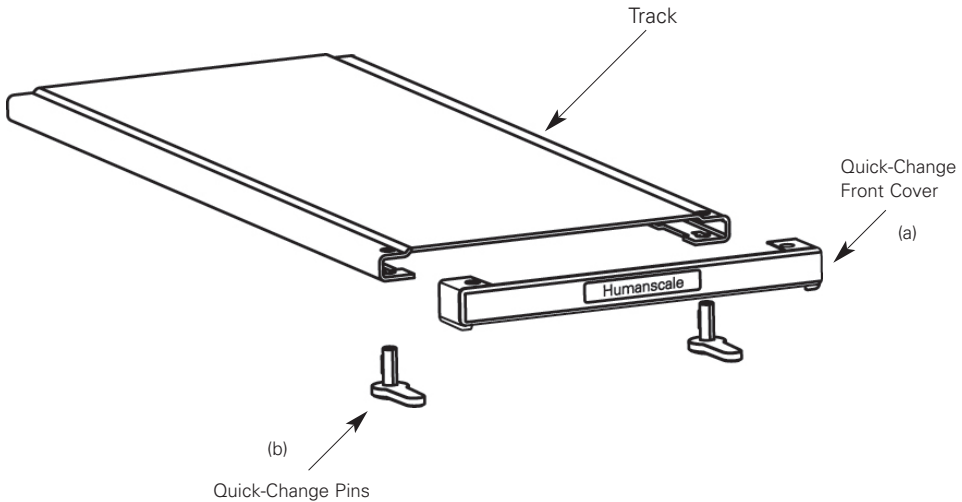


Quick Track

Installation Instructions



1. Once Track and Rear Rubber Stopper have been installed (see Keyboard System Installation Instructions), slide Keyboard Mechanism or CPU Holder into Track.
2. Slide Quick Track Front Cover into Track (a).
3. With Quick Track Pin Handles pointing away from the Track (as shown), insert Pins into keyholes on front of Track (b).
4. Turn Pins 90° inward to lock in place. Your Quick Track system is now installed.
5. To Remove, simply reverse above steps.

Please Note: To remove the keyboard system from its track, first remove the keyboard and mouse. Next, adjust the keyboard platform to its highest position and then slide the whole unit out of the track.