

## STEP 1: Attach Arm to Wall

### WU MOUNT

The M7 can be mounted directly to a wood, metal, concrete or other highly stable wall surface using 4 screws as shown.

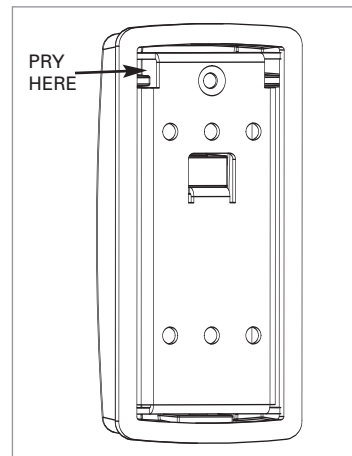
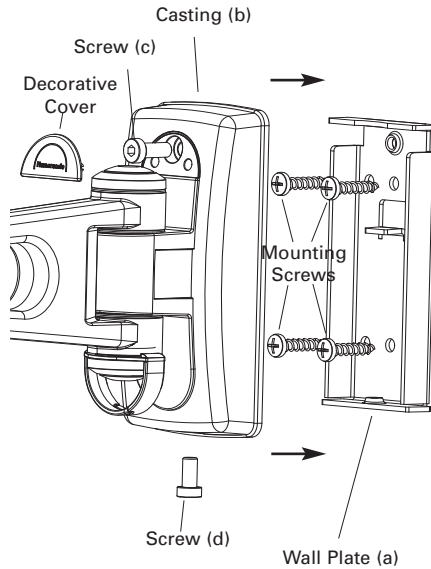
- a.** Remove Wall Plate (a) from Casting (b) by removing two Screws (c) and (d) using the provided hex key.

*\*Note: you will need to pry plate out of casting using a screw driver or hex key.\**

- b.** Attach Wall Plate to wall using 4 Screws. Make sure that the plate is perfectly plumb.

- c.** Place Casting on Wall Plate and secure with two Screws. Make sure that the long Screw is used in the top hole and the short Screw in the bottom hole.

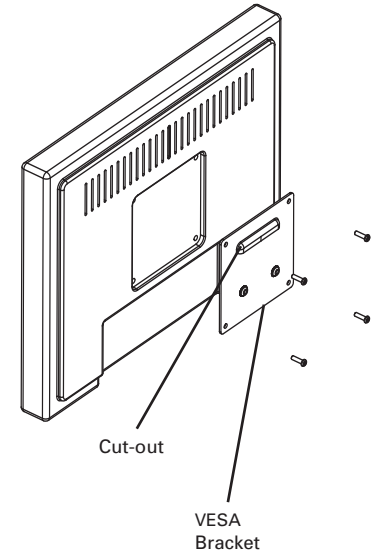
- d.** Snap Decorative Cover into place covering the top Screw.



## STEP 2: Attach VESA Bracket to Monitor

- a.** Select 75mm or 100mm VESA Bracket to match hole pattern on back of monitor.

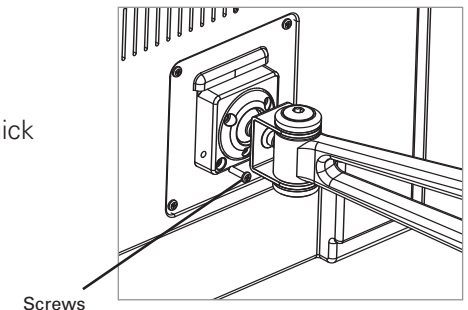
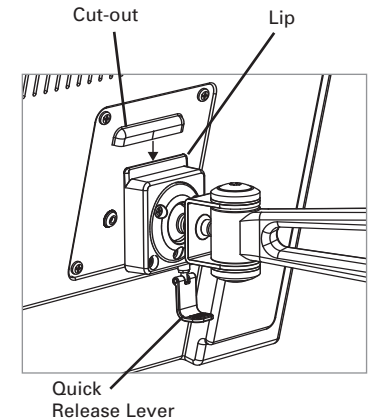
- b.** Place VESA Bracket in position on back of monitor with Cut-out toward top of monitor (as shown) and attach using 4 screws provided. For this, you may also use screws that came with your monitor.



## STEP 3: Attach Monitor to Arm

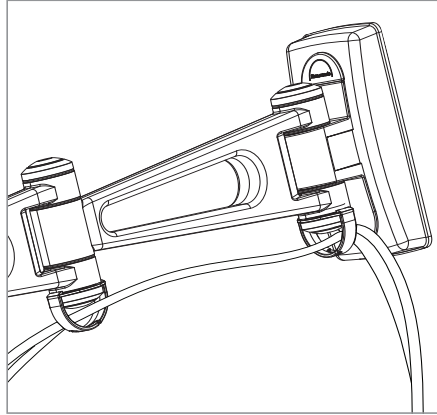
- a.** Place Cut-out on VESA Bracket over Lip at end of Arm. If your Arm is equipped with a Quick-Release Lever (as shown), simply push bottom of monitor into Arm until you hear a click. To remove, depress Quick Release Lever and remove monitor from Arm.

- b.** If your Arm does not have a Quick Release Lever, secure monitor to Arm using two screws, as shown.



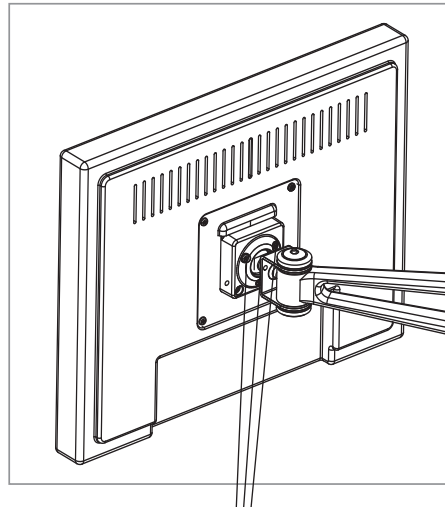
## Cable Management

The M7 includes cable management clips to keep monitor cables neat and protected. If desired, place monitor and power cables through cord clips as shown.



## Friction Adjustment

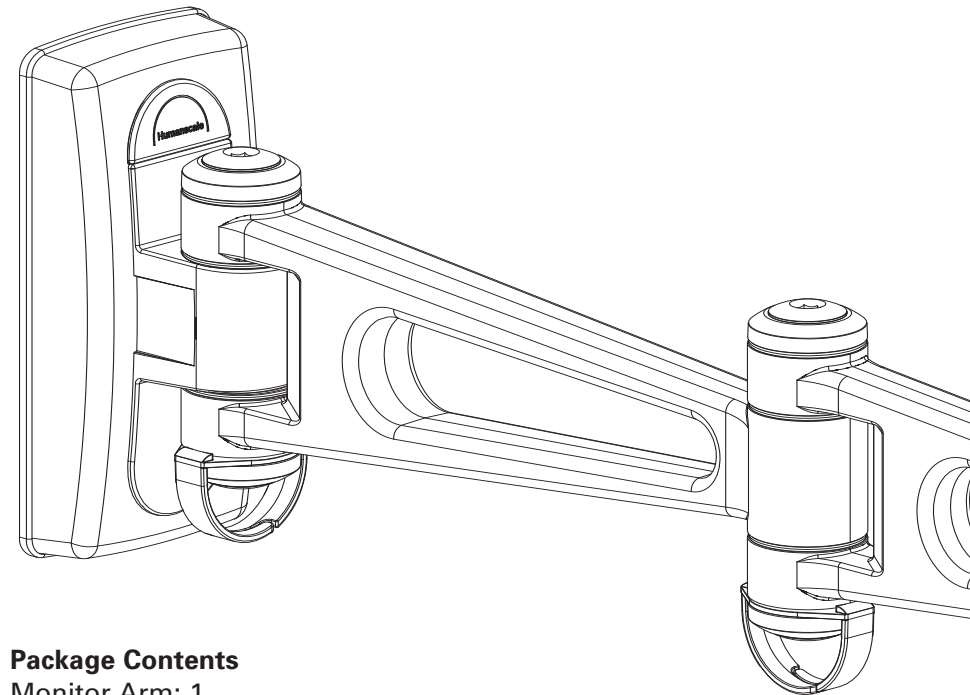
If your monitor is particularly heavy, or after prolonged use, the Ball Joint may require increased friction. This can be achieved by tightening the 3 Ball Joint Friction Screws.



Ball Joint  
Friction  
Screws

# M7 WU Mount Installation Instructions

*For WU mount (standard wall stud mount)  
models with no arm or single arm*



## Package Contents

- Monitor Arm: 1
- VESA Brackets: 1
- VESA Bracket Screws: 4
- Front Bracket Screws: 2
- Direct Wall Mount Screws: 4
- Decorative Cap: 1
- Hex Key (short): 1

